

DURATANK®

◀ Tanks Made to Fit ▶

The tanks shapes shown here represent those most commonly found in boats.

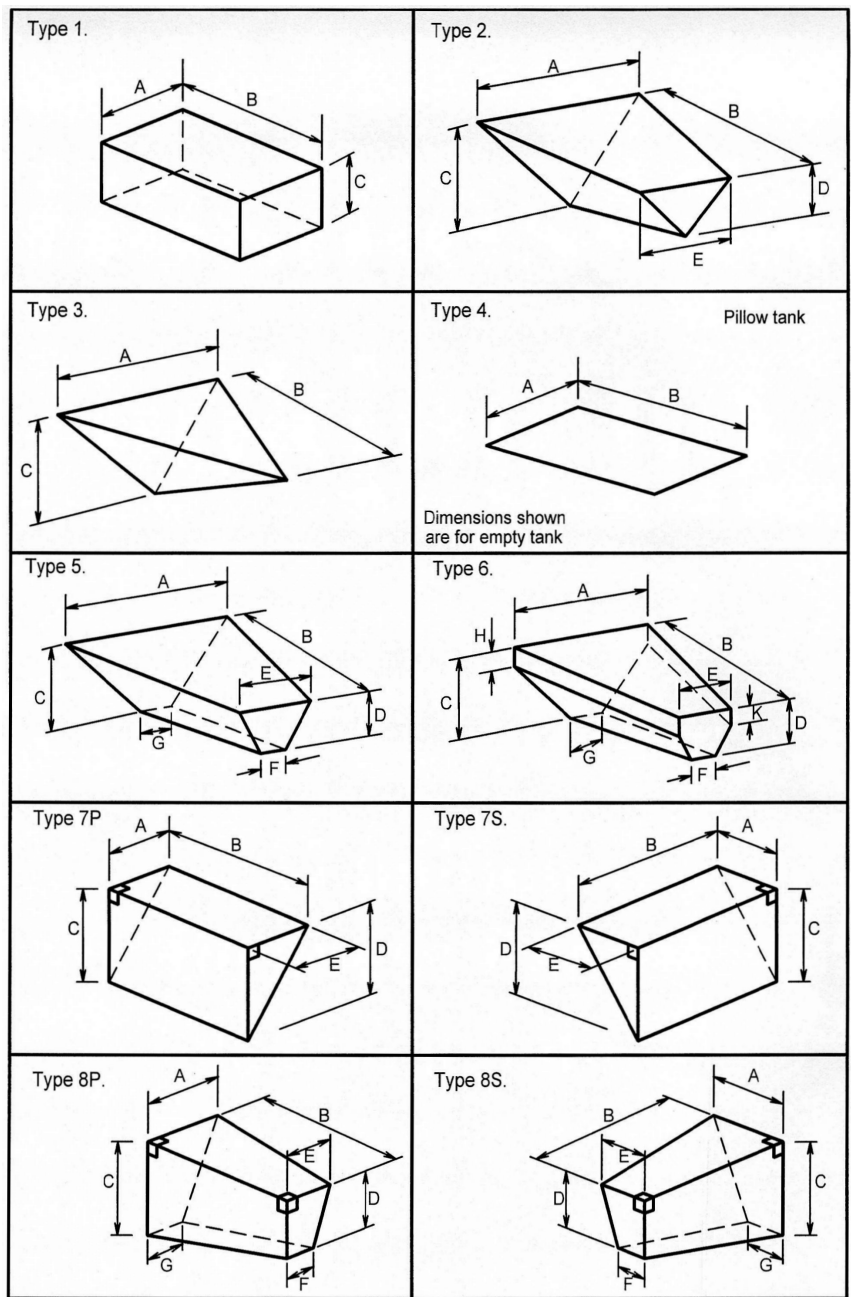
If you require a shape not shown here, please sketch it clearly on a plain sheet with dimensions which define it.

Usually, the top surface of the tank is at right angles to the vertical bulkhead. If your requirement is different please notify us.

Push-on fittings for filling, outlet and venting are available in $\frac{3}{8}$ ", $\frac{1}{2}$ ", $\frac{5}{8}$ ", $\frac{3}{4}$ ", 1", $1\frac{1}{4}$ ", and $1\frac{1}{2}$ " inch (9.5, 13, 16, 19, 25, 32, and 38mm) sizes, in straight or elbow versions. We strongly recommend 16, 25 and 38mm elbow fittings as they are well designed and reliable.

We stock most of the fittings that you are likely to require.

The location of these fittings and the elbow directions should be shown clearly on the relevant shape. Vents should be fitted to shaped tanks.



Please indicate below the type of tank and its dimensions.

Construction (tick):		Flexible <input type="checkbox"/>	Rigid <input type="checkbox"/>																
Tank type (tick):		Water <input type="checkbox"/>	Fuel <input type="checkbox"/> Effluent <input type="checkbox"/>																
Style number	<input type="text"/>	Dimensions in mm <input type="text"/>	or inches <input type="text"/> Number of tanks <input type="text"/>																
Dimensions	A	B	C	D	E	F	G	H	K										
<table border="1" style="width: 100%; border-collapse: collapse;"> <tr> <td style="width: 15%;"></td> <td style="width: 15%;"></td> <td style="width: 15%;"></td> <td style="width: 15%;"></td> <td style="width: 15%;"></td> <td style="width: 15%;"></td> <td style="width: 15%;"></td> <td style="width: 15%;"></td> <td style="width: 15%;"></td> <td style="width: 15%;"></td> </tr> </table>																			
Name				Initials:			Mr. Mrs. Miss Ms.												
Company (if applicable)																			
Address																			
Post Code			Tel. number:			Fax number:													

